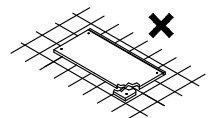
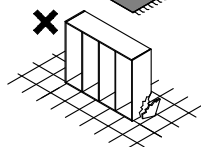
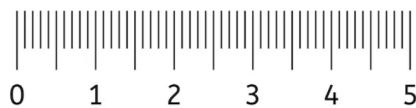
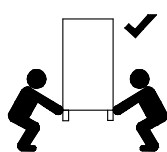
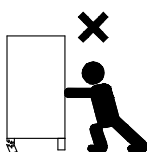
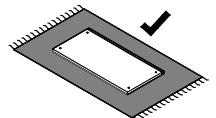
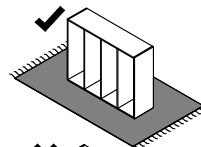
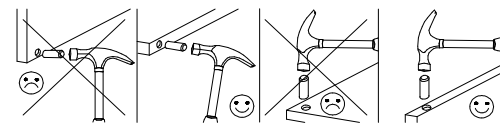
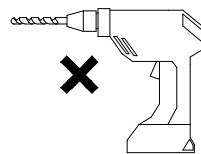
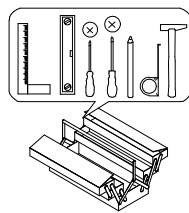
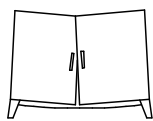
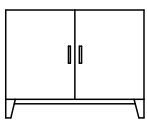
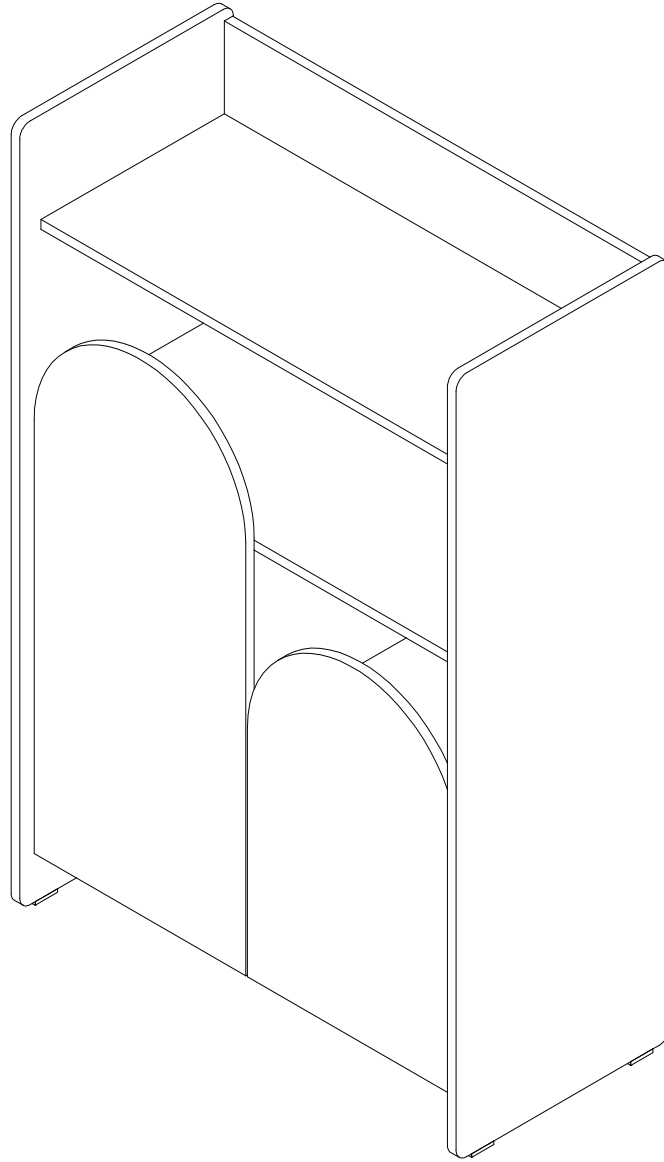
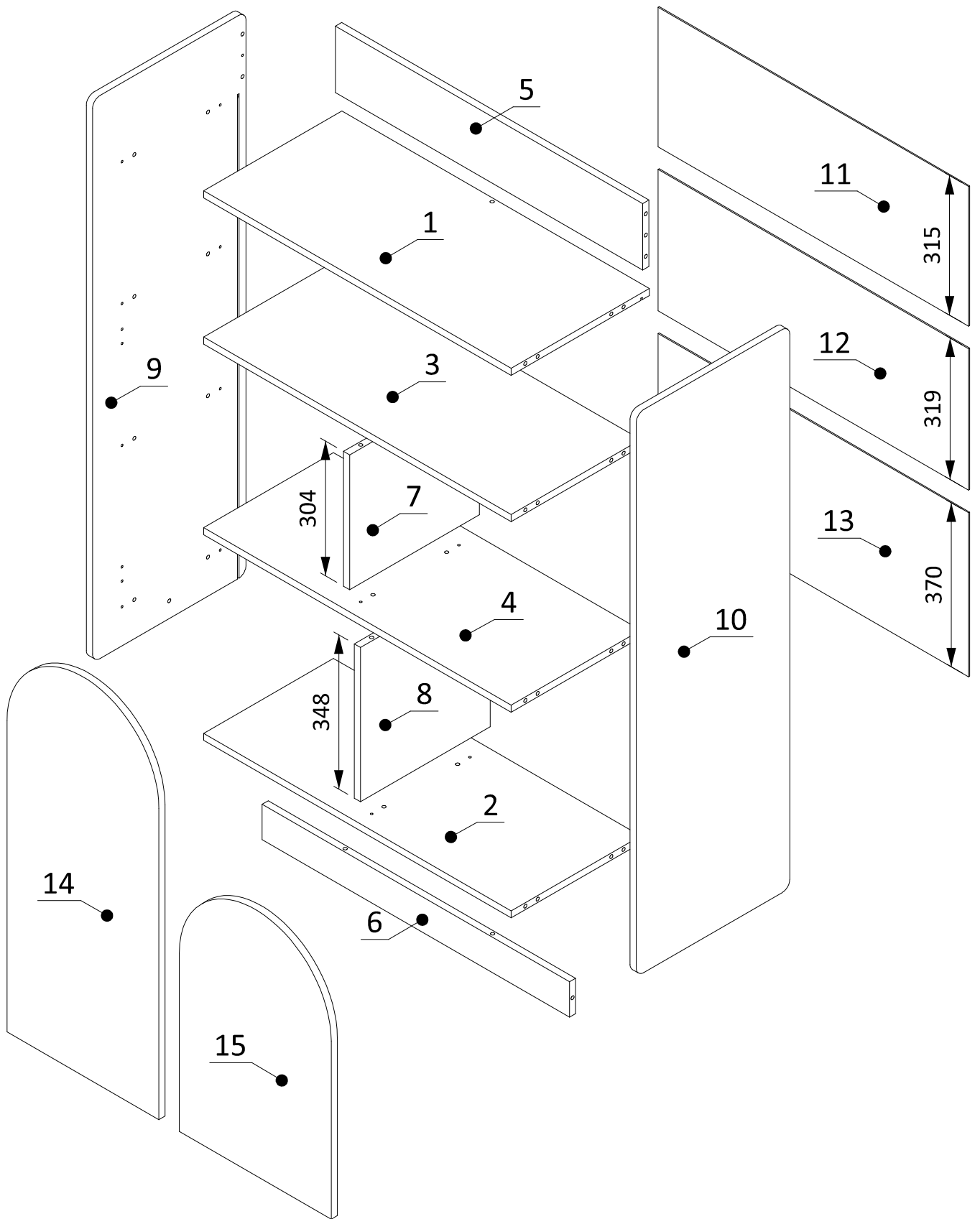
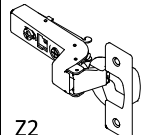
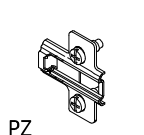
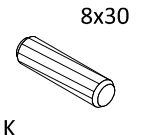
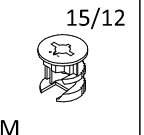
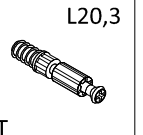
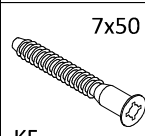
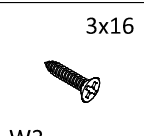
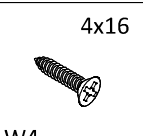
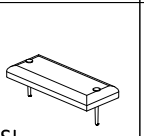
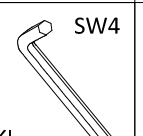
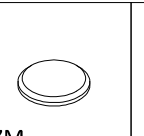
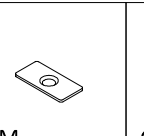
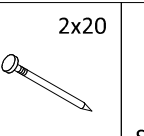
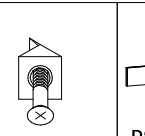
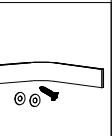


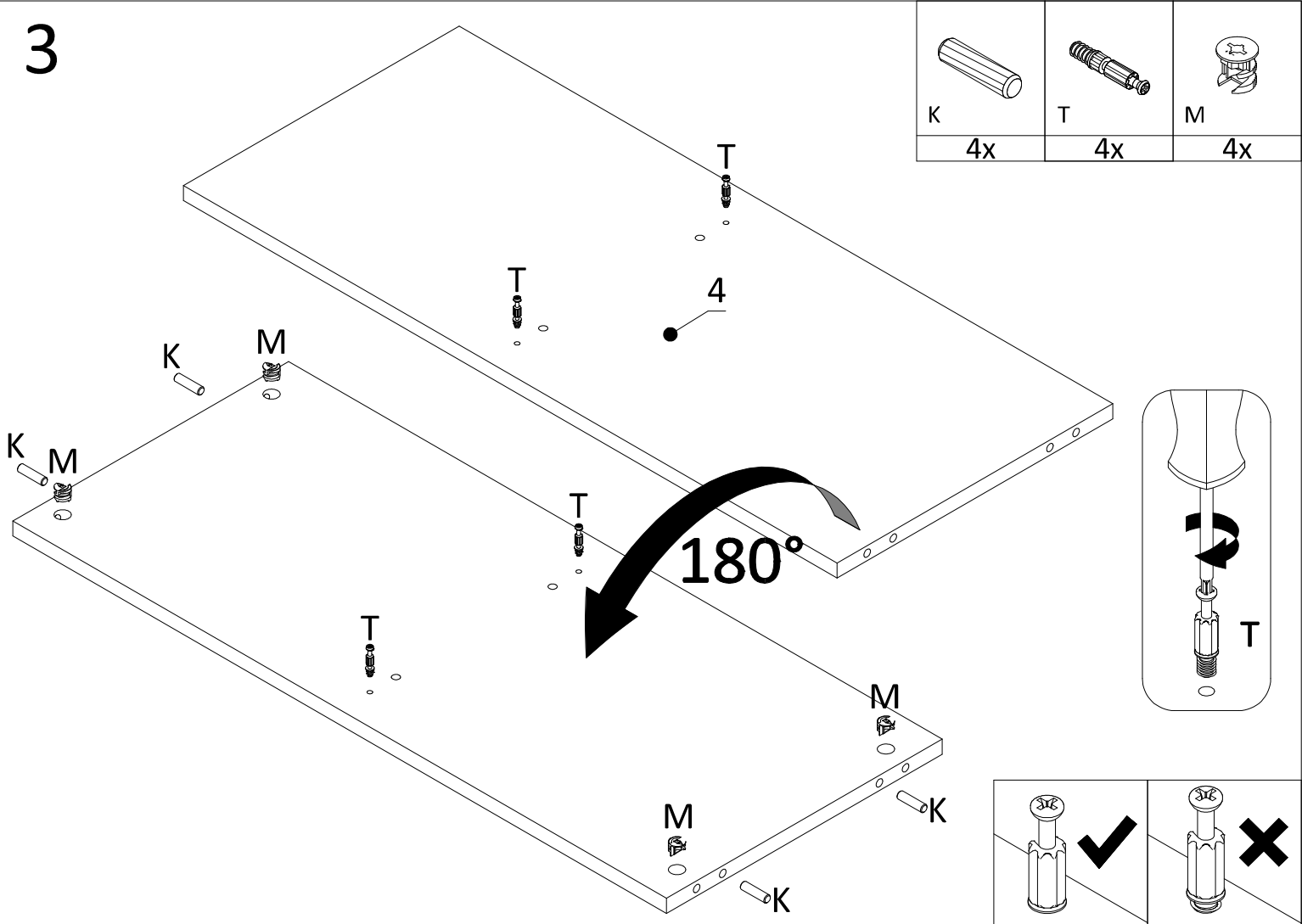
LEXI R-8



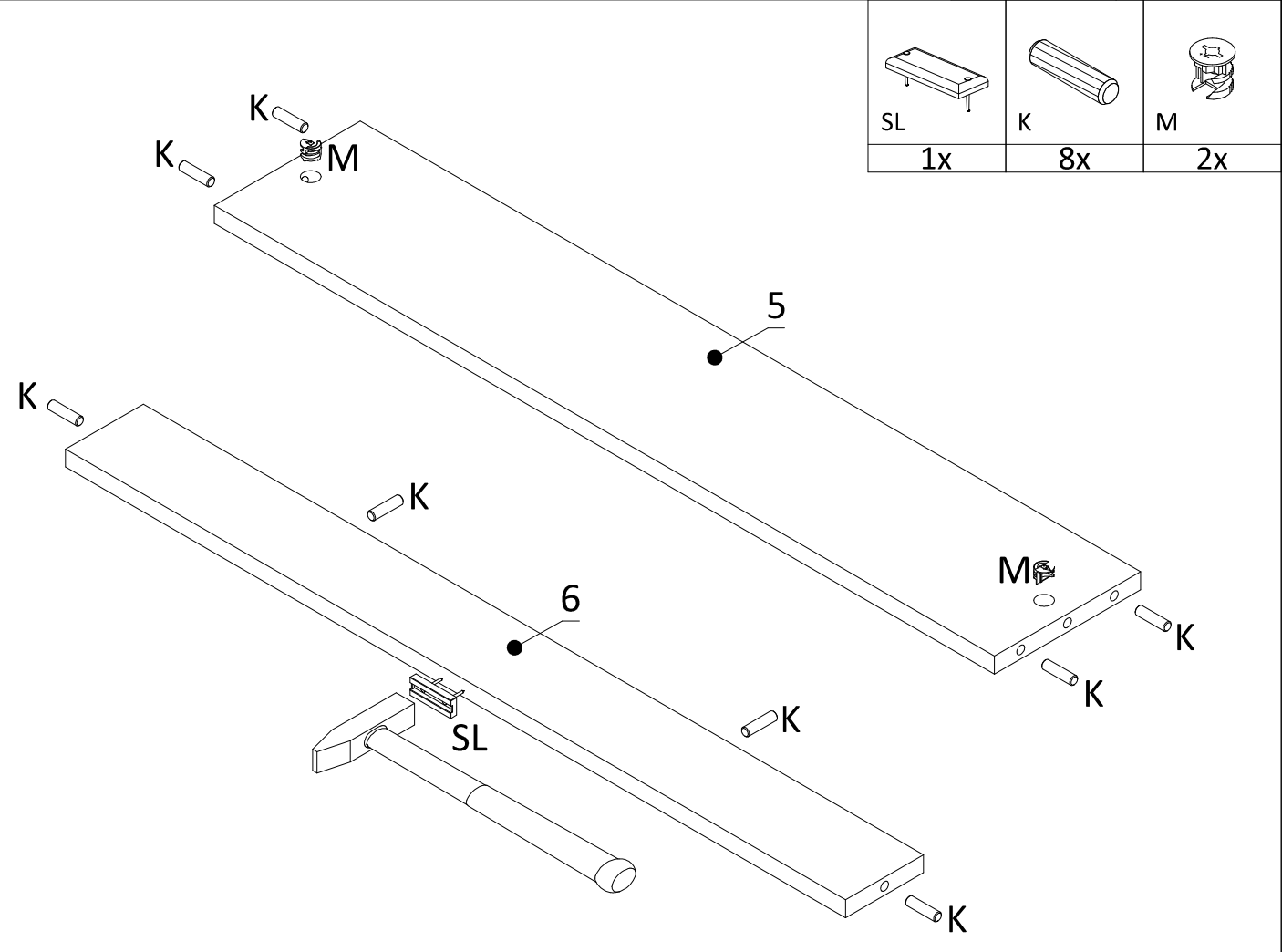


		 8x30	 15/12	 L20,3					
Z2	PZ	K	M	T					
4x	4x	32x	26x	26x					
 7x50	 3x16	 4x16		 SW4			 2x20		
KF	W2	W4	SL	KL	ZM	PM	G	S	PS
1x	14x	8x	5x	1x	26x	14x	7x	8x	1x


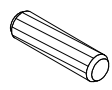
3

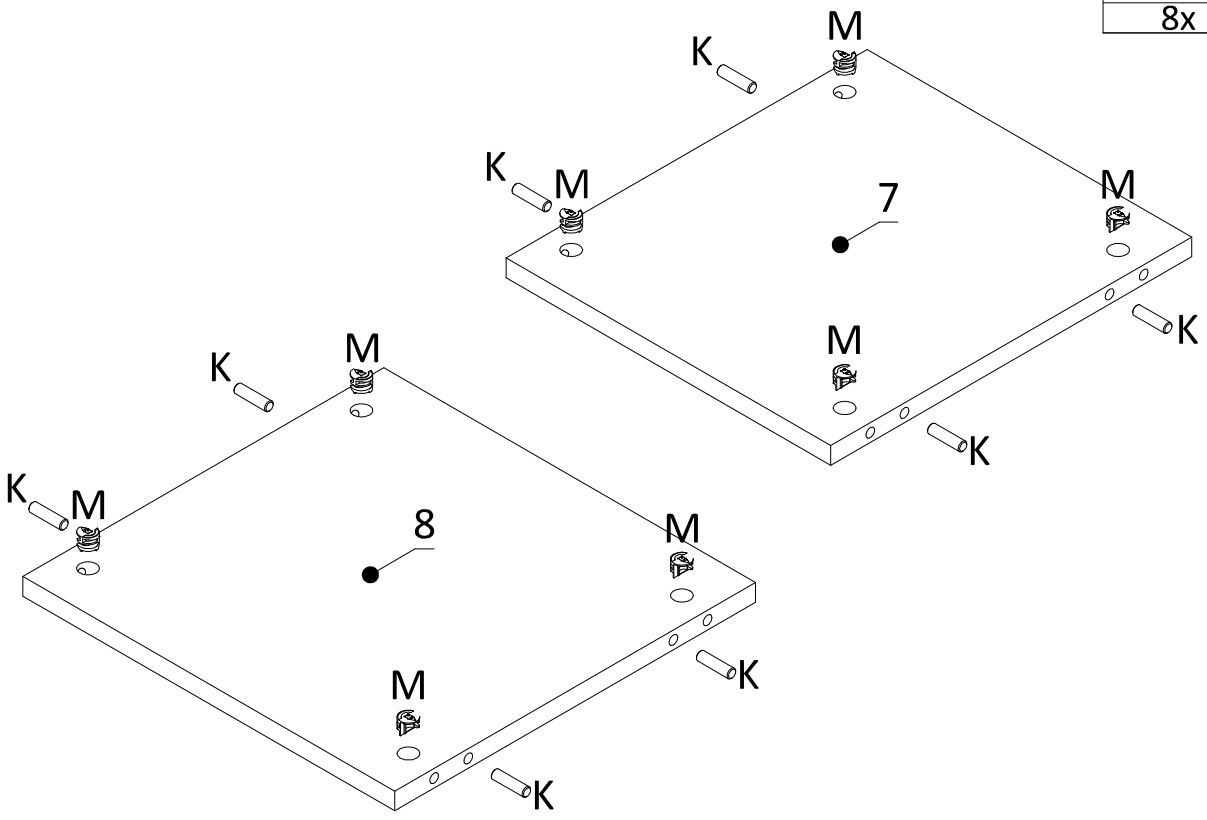


4

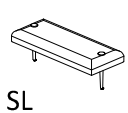
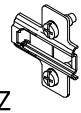
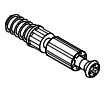


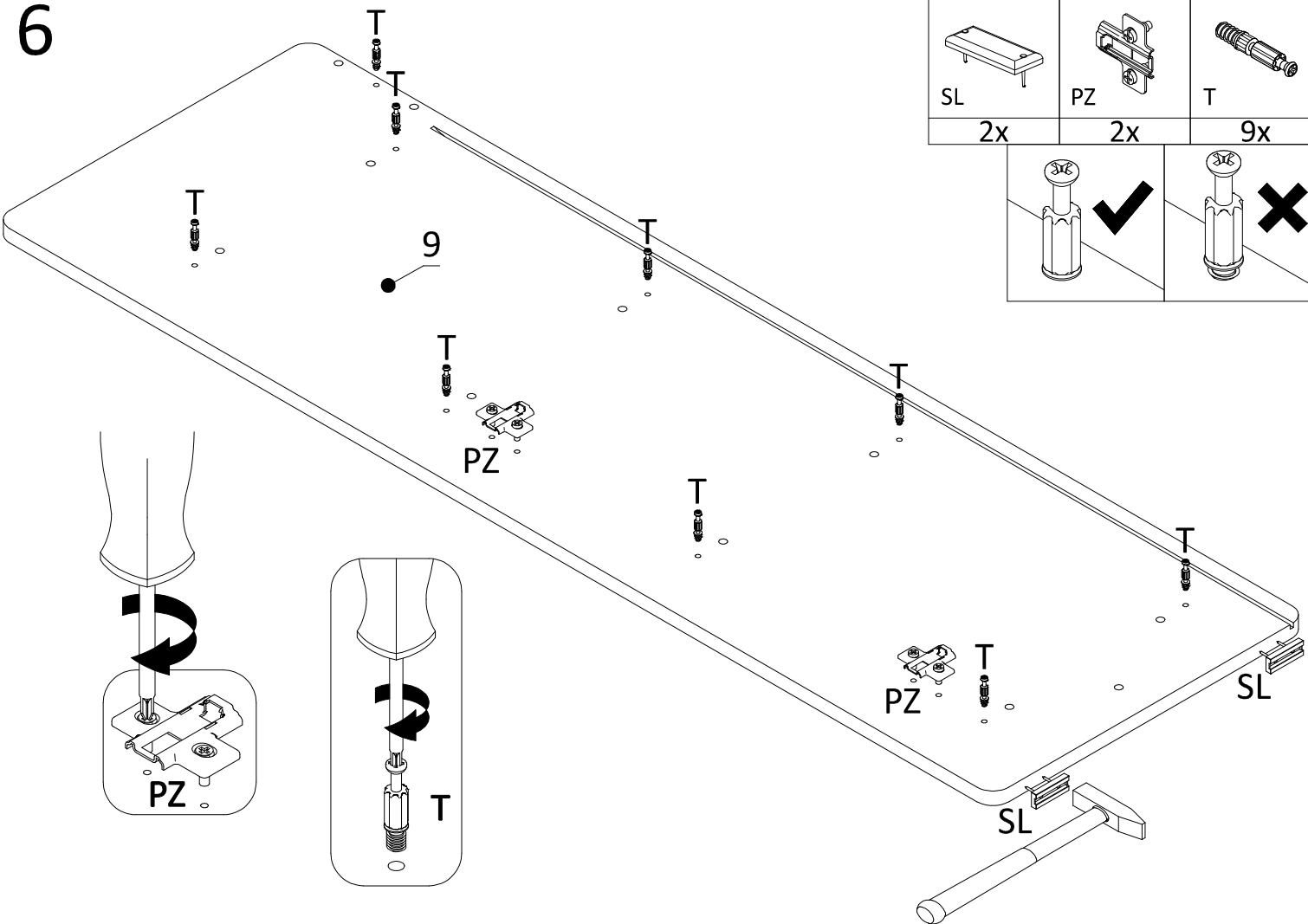
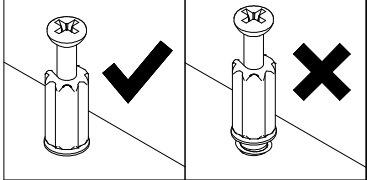
5

	
M	K
8x	8x

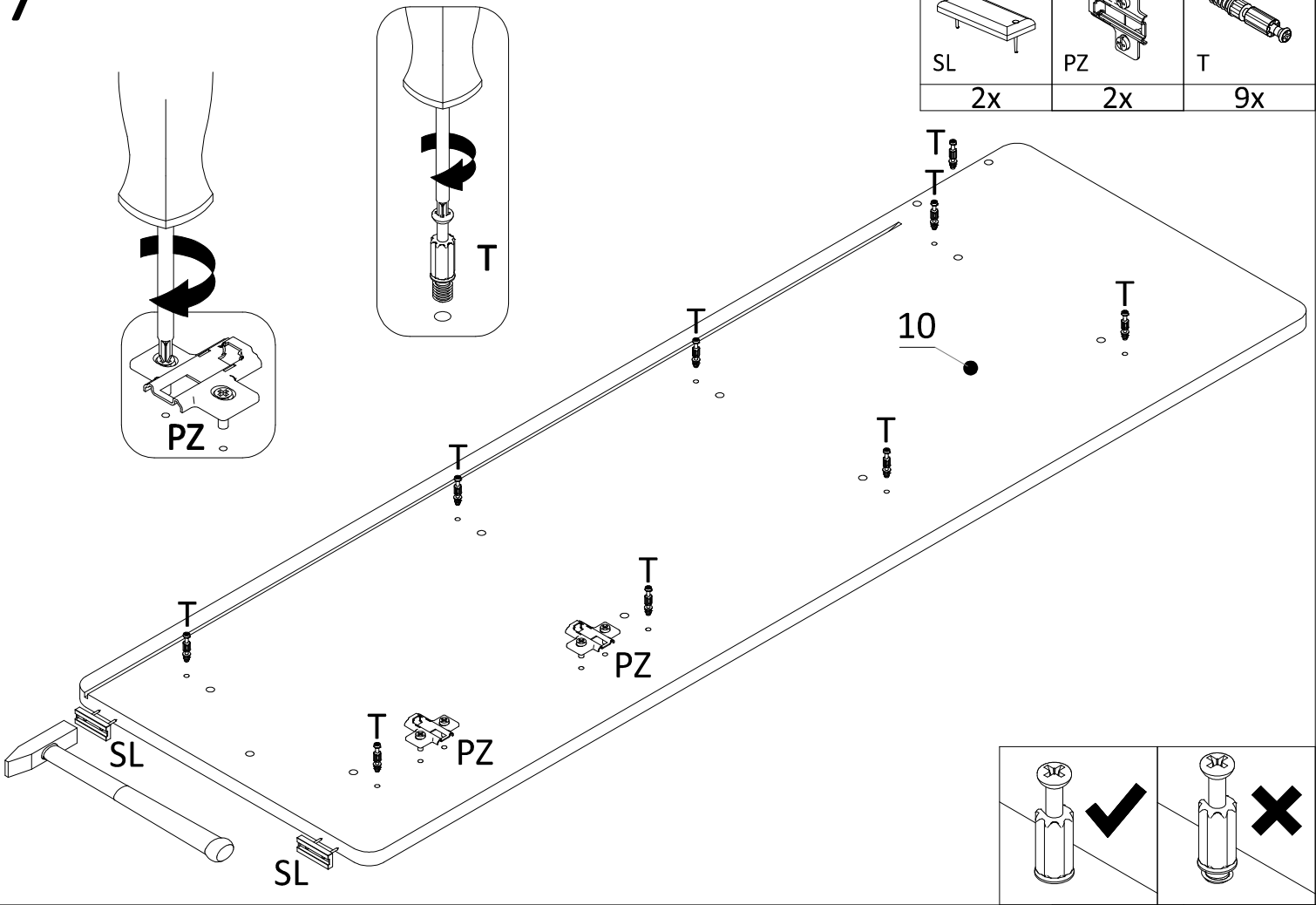


6

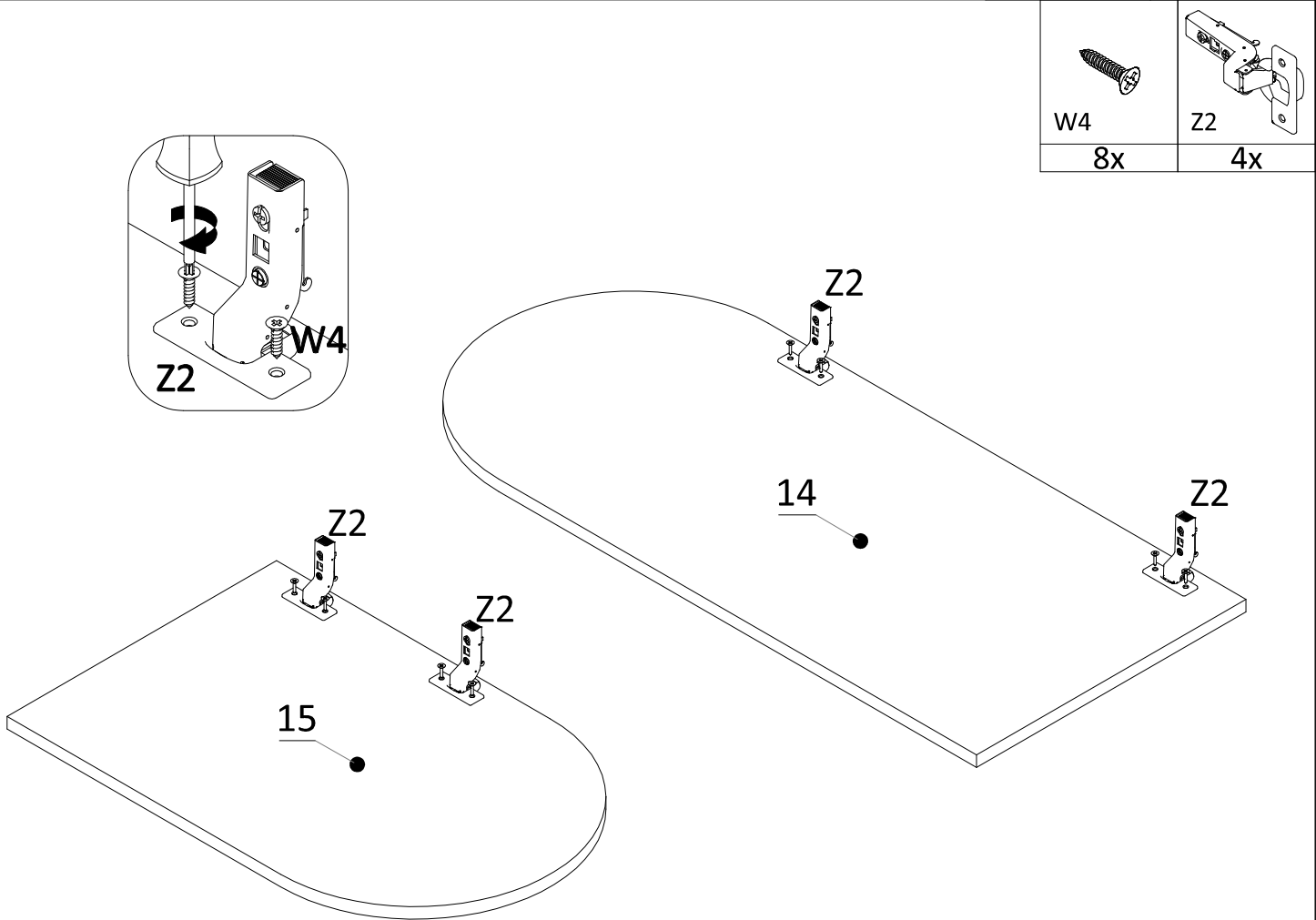
		
SL	PZ	T
2x	2x	9x



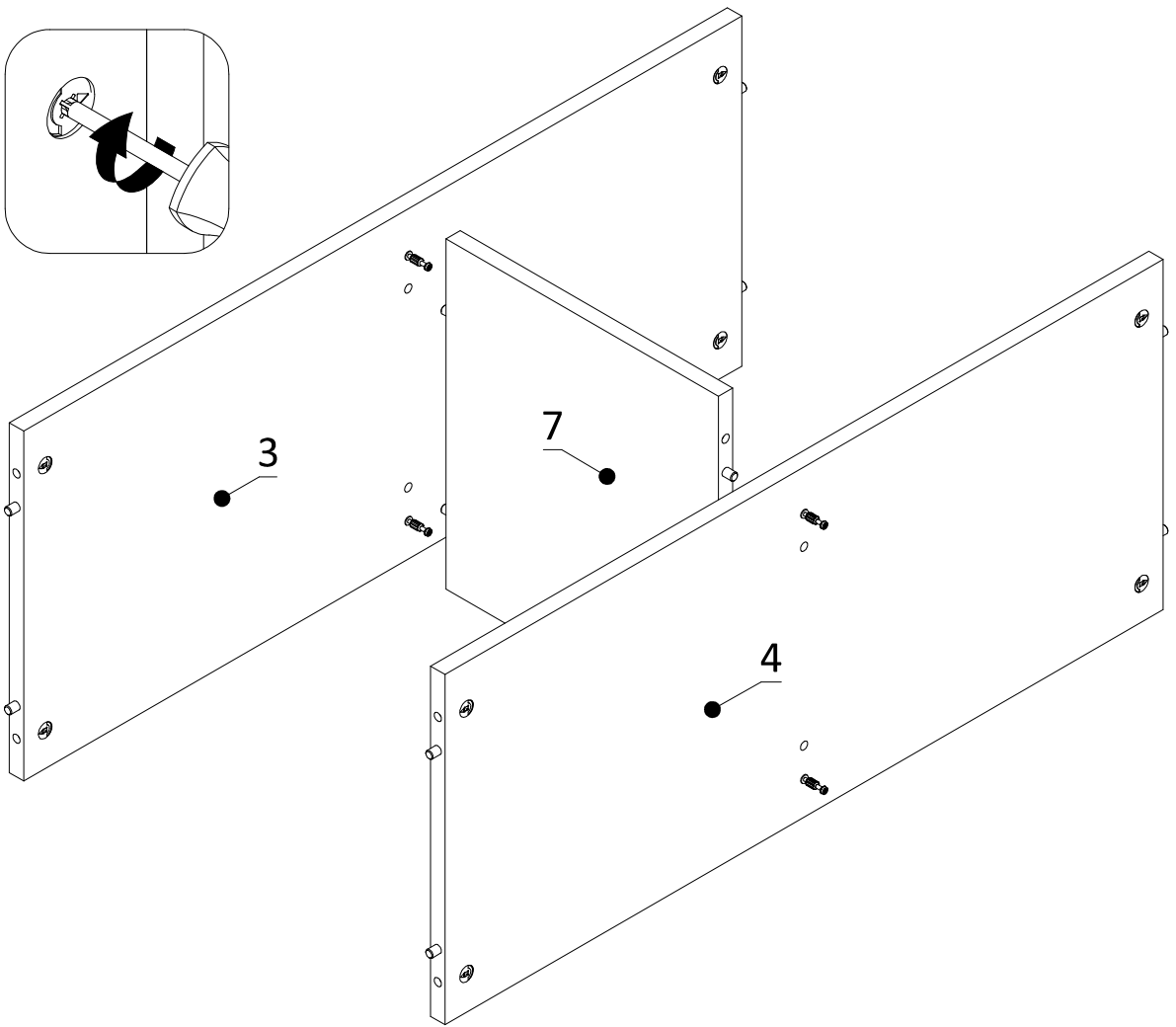
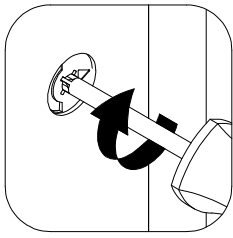
7



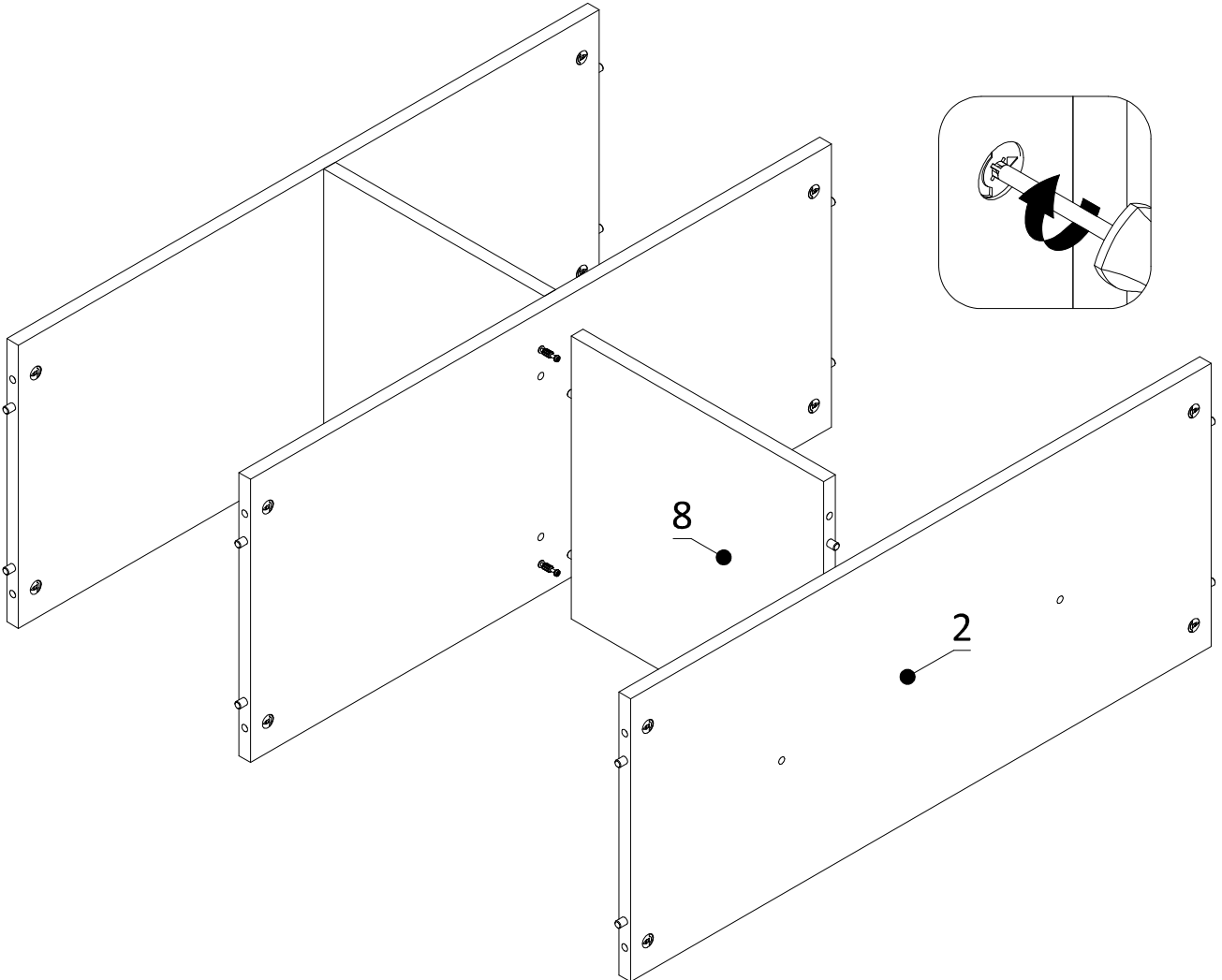
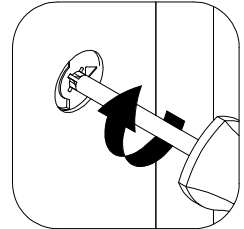
8



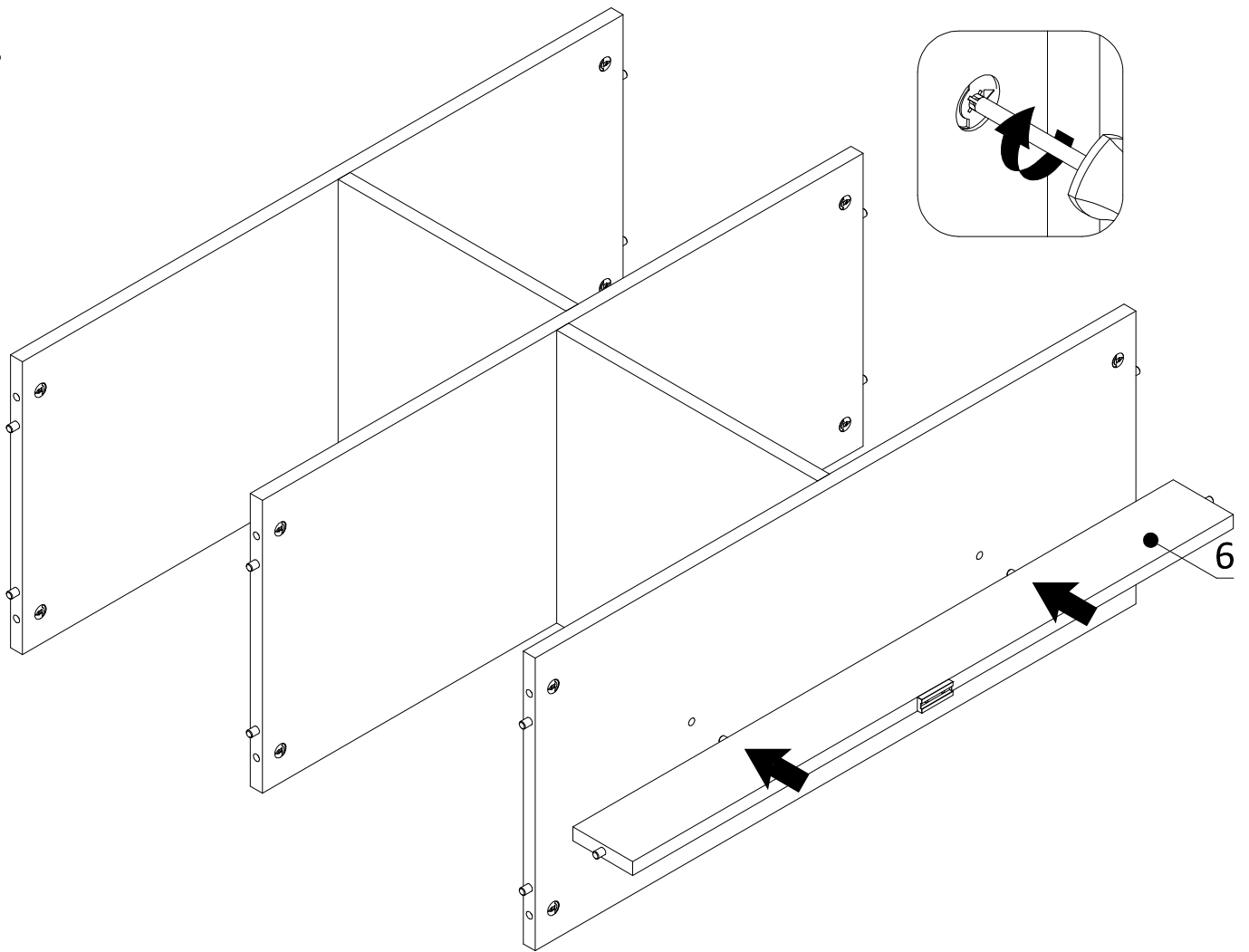
9



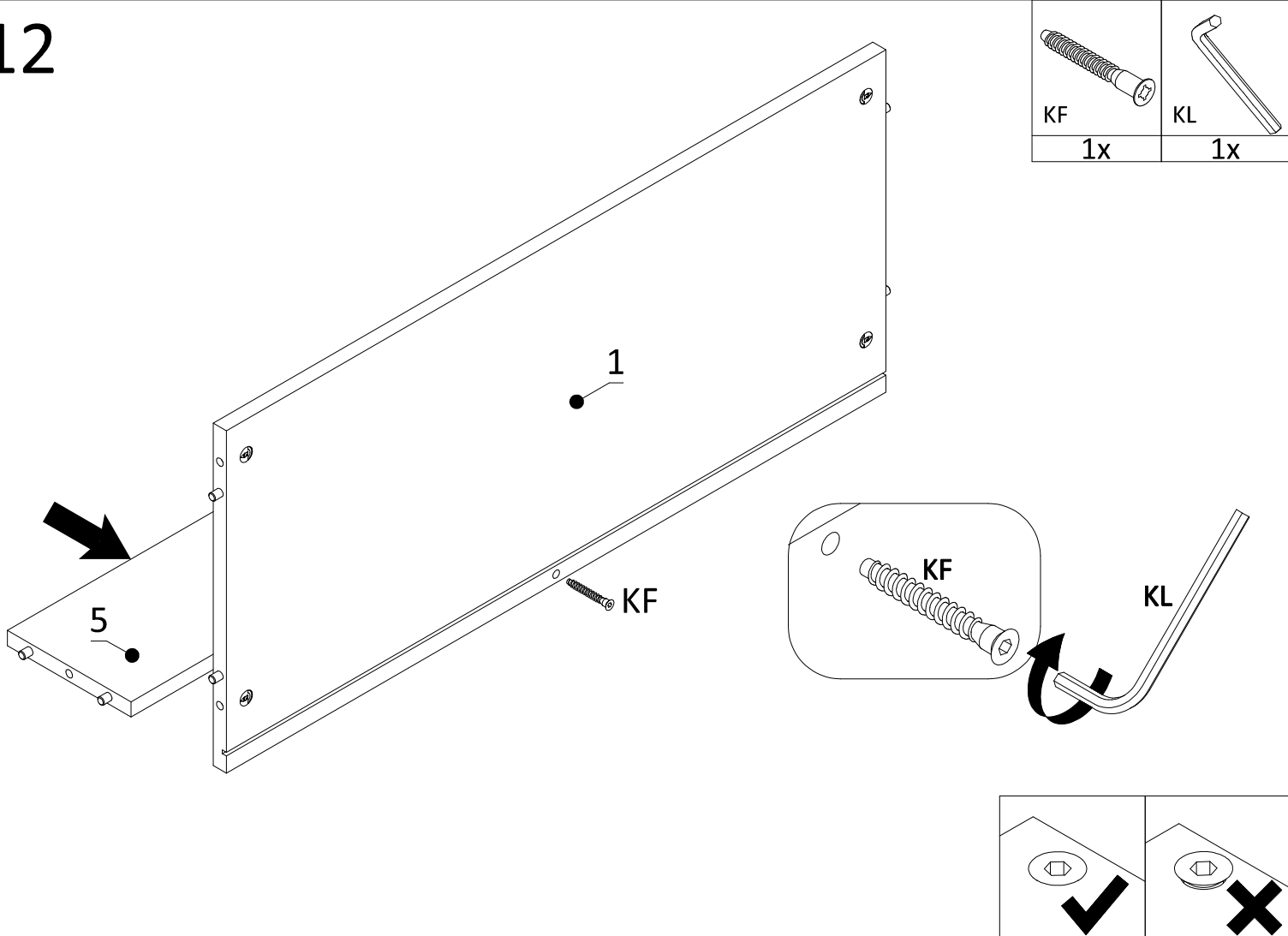
10



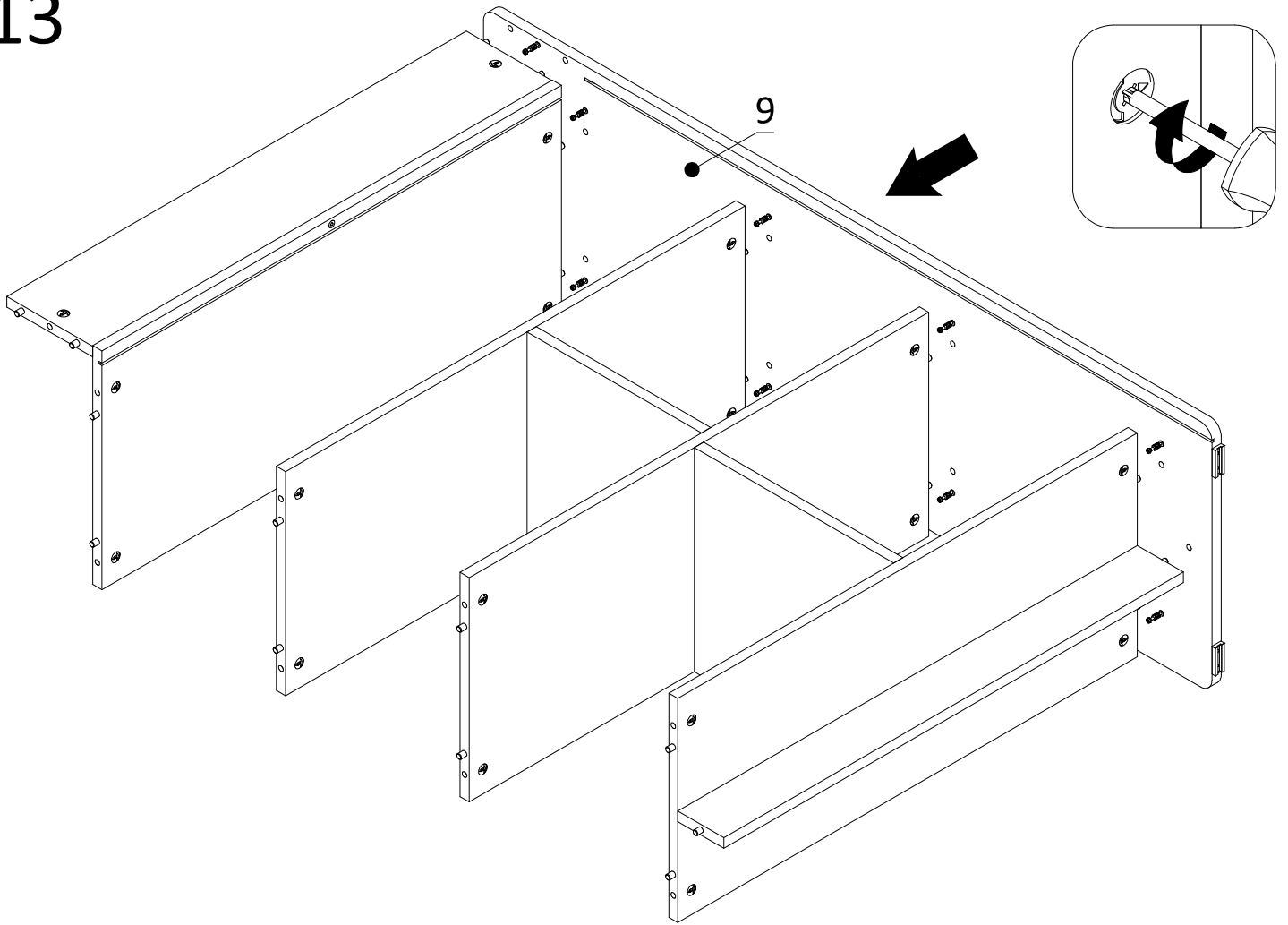
11



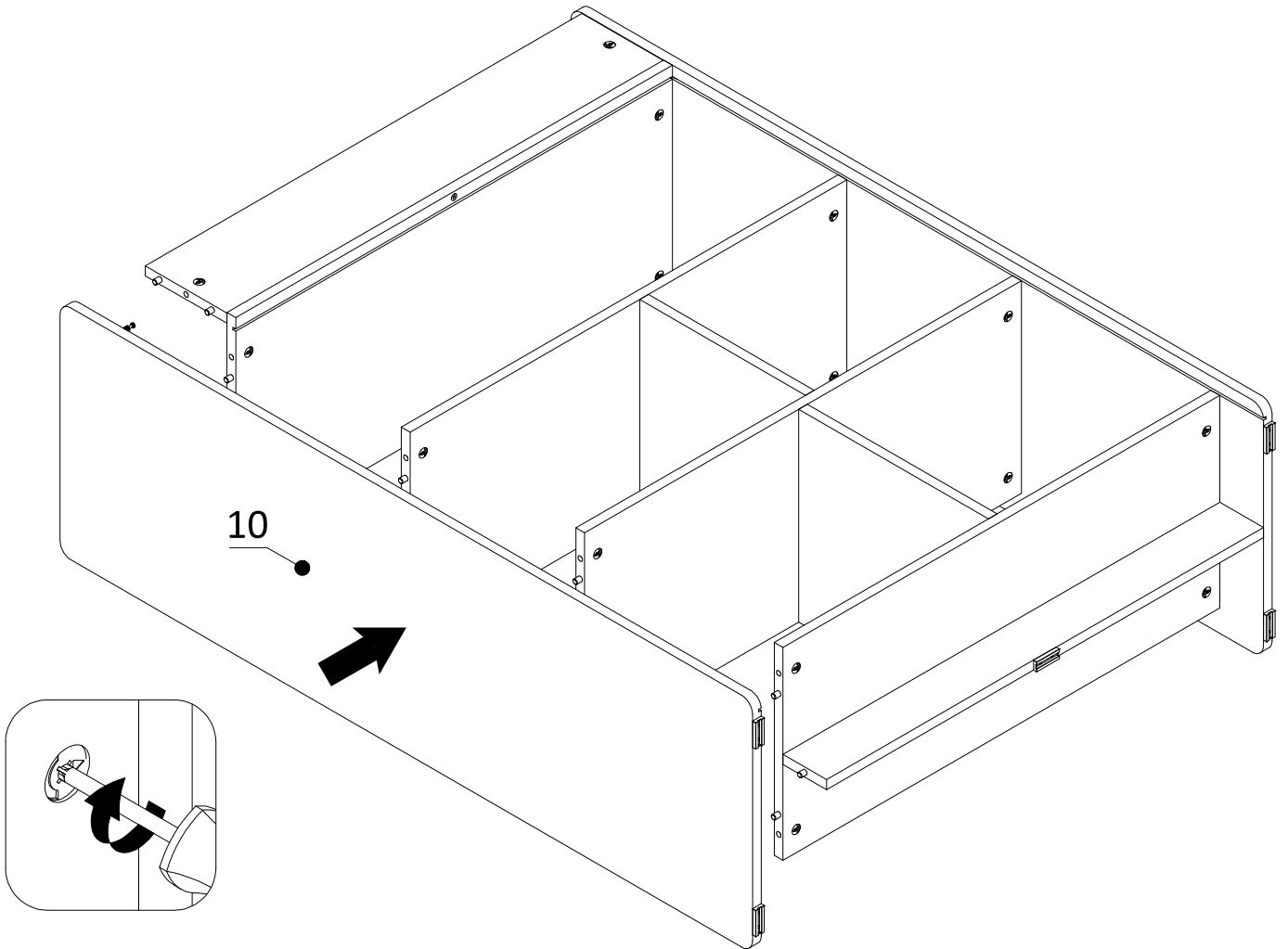
12



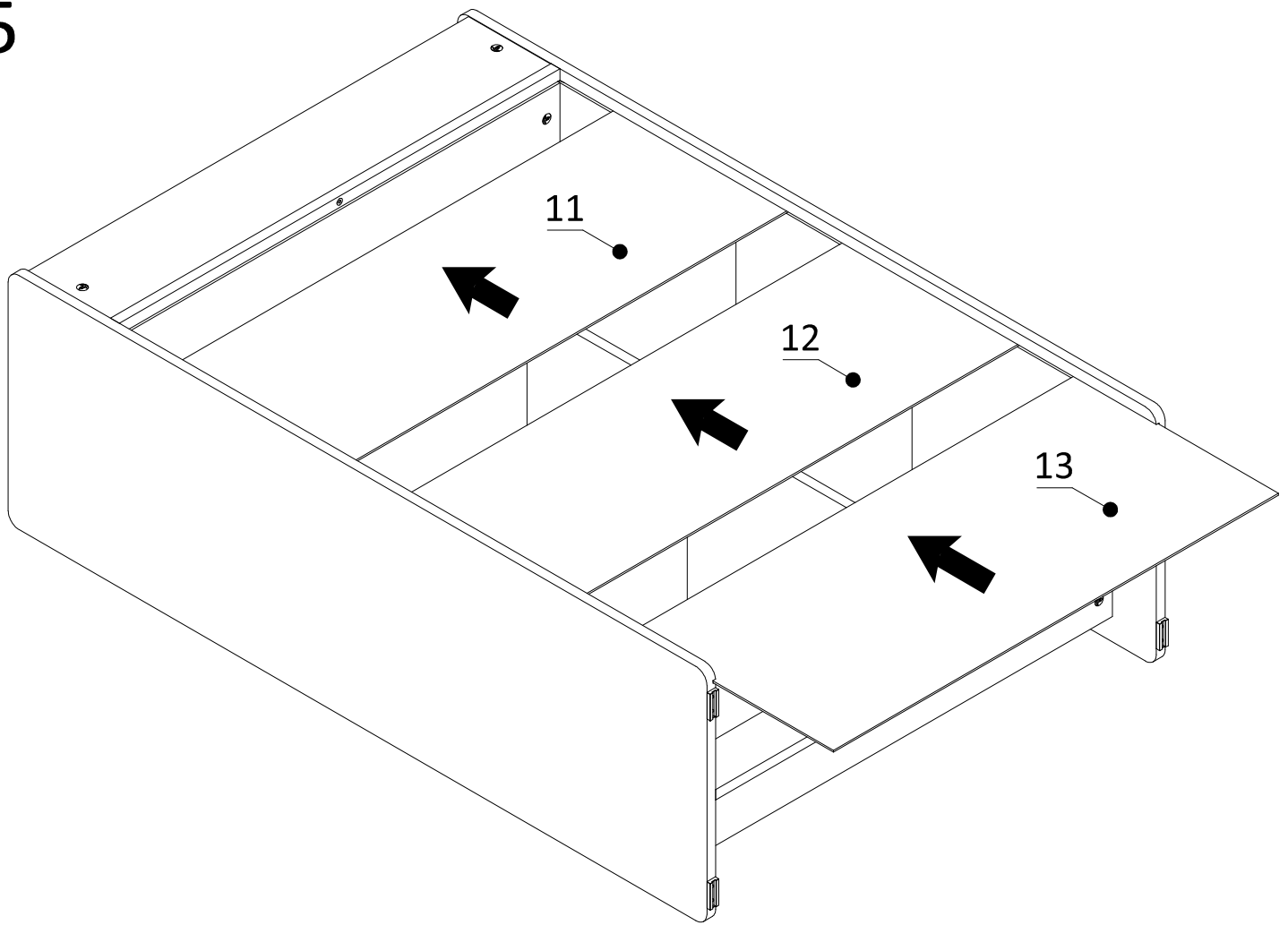
13



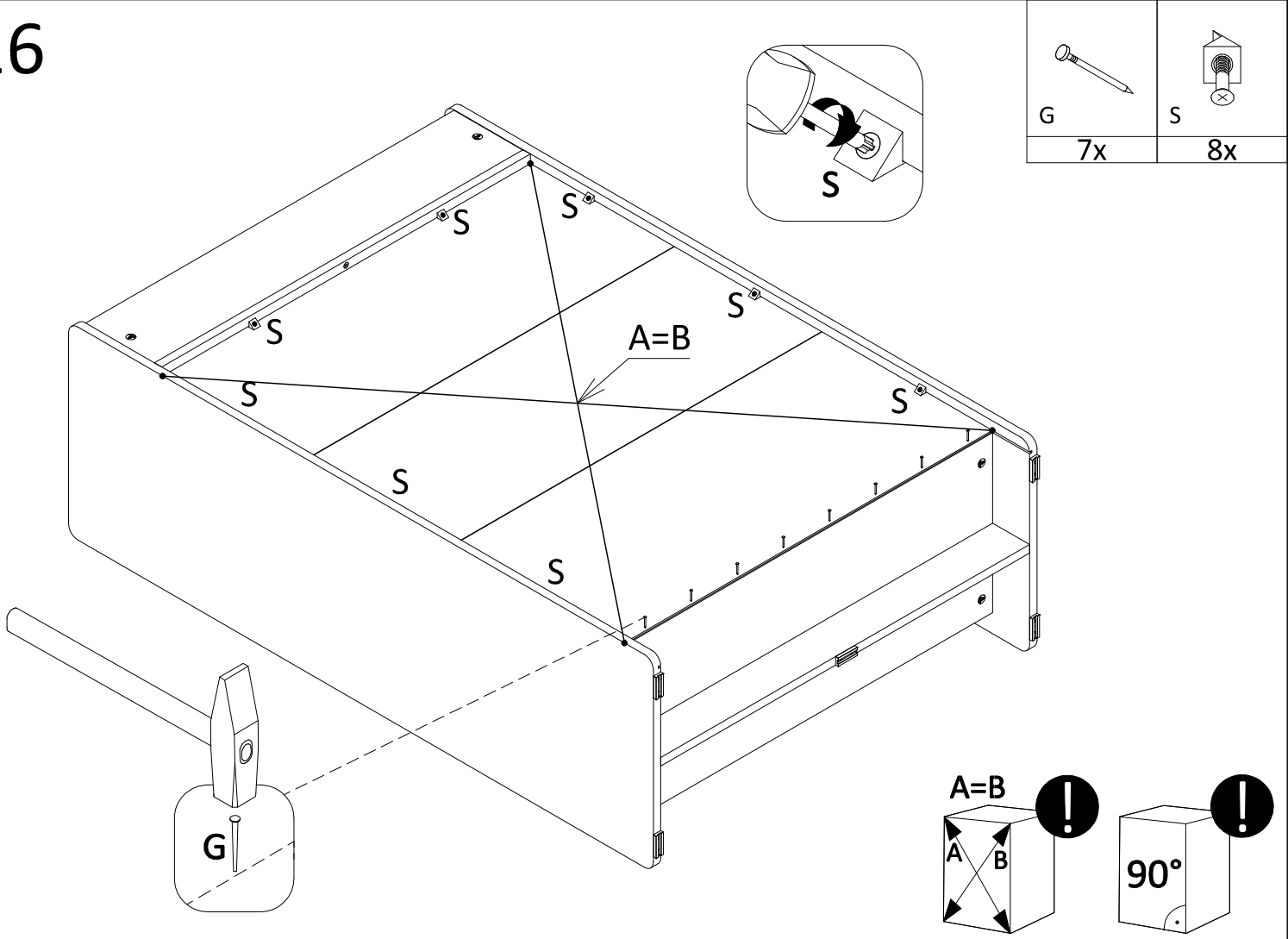
14



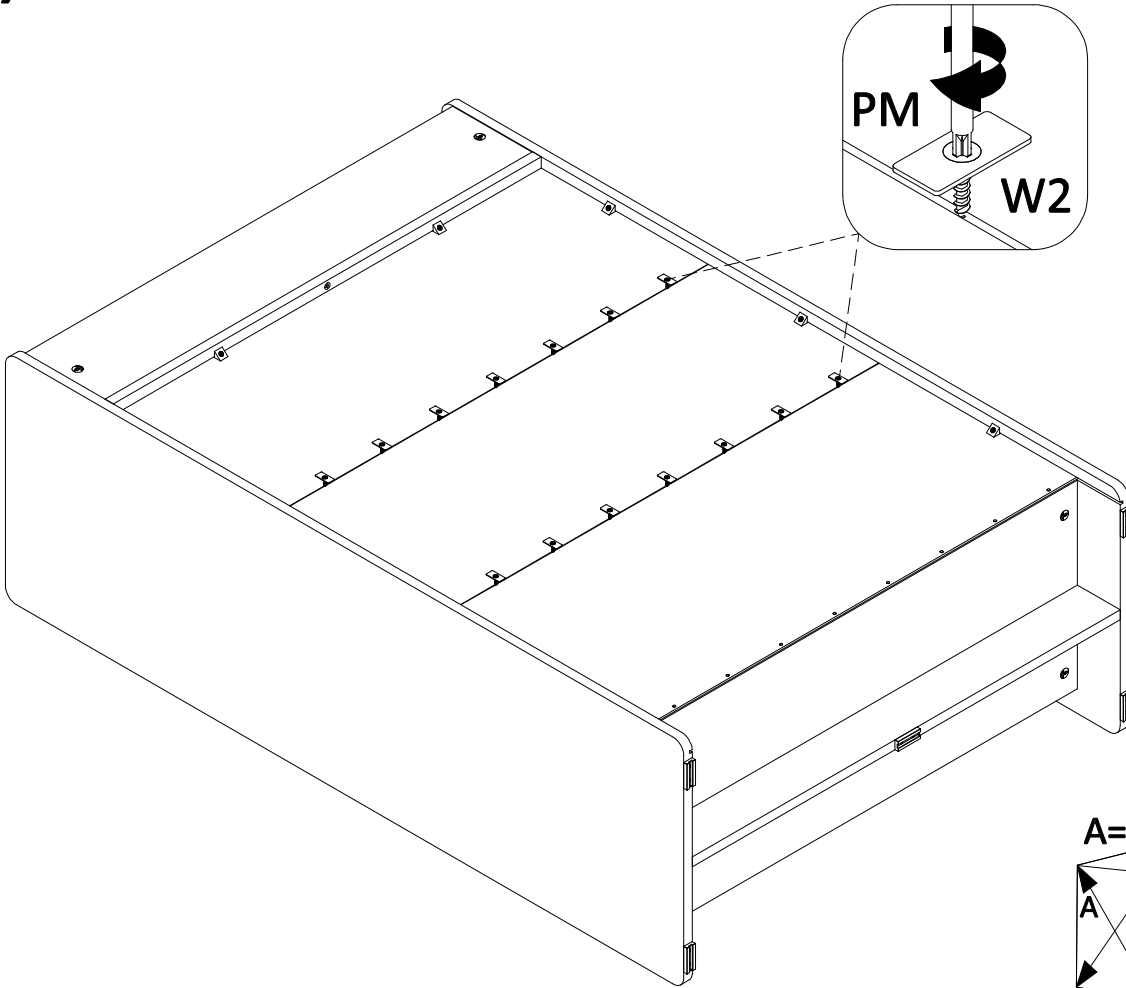
15



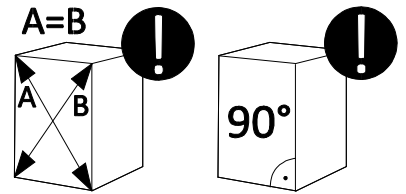
16



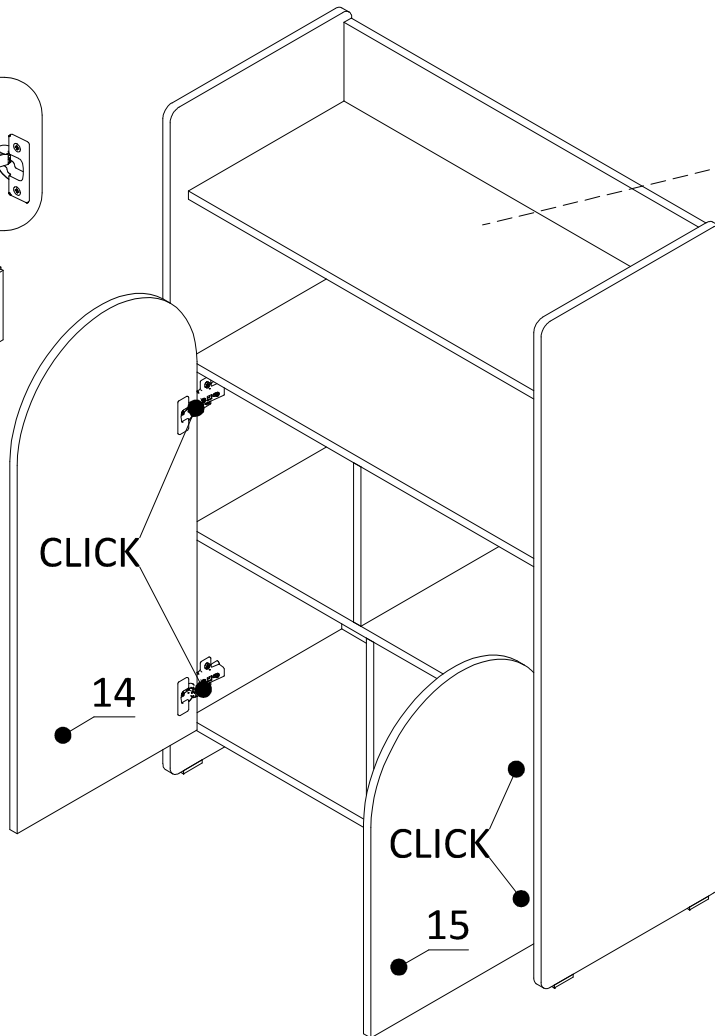
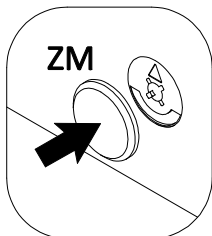
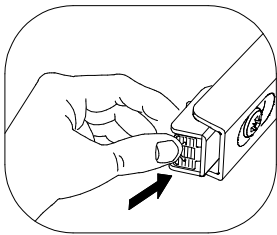
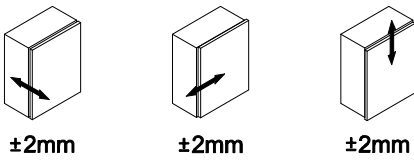
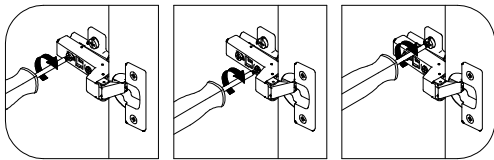
17



W2	PM
14x	14x



18



	PS
	1x
1	
2	
3	
	PS
4	